

# Money box – level 1

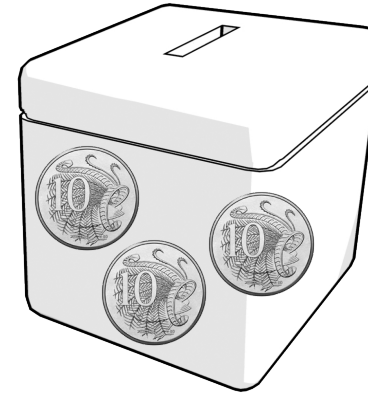
Add up the coins in each money box and write the total underneath.



\_\_\_\_\_



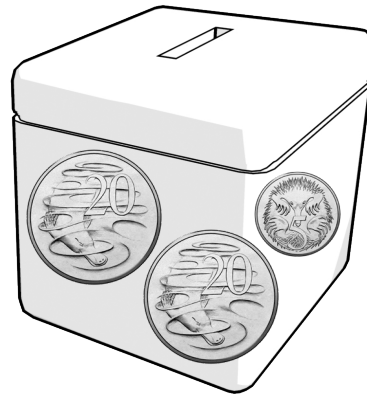
\_\_\_\_\_



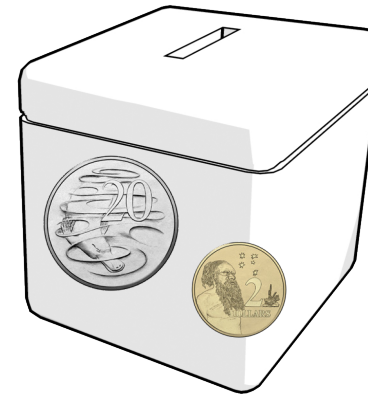
\_\_\_\_\_



\_\_\_\_\_



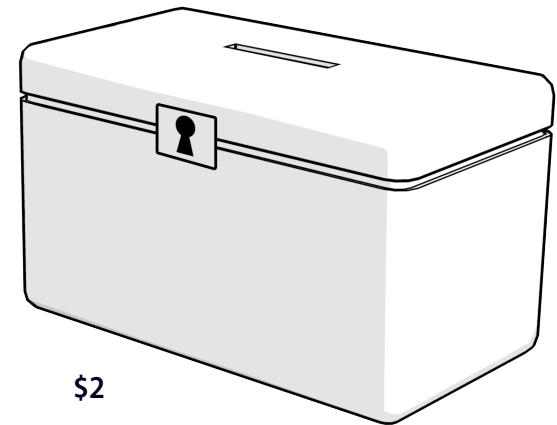
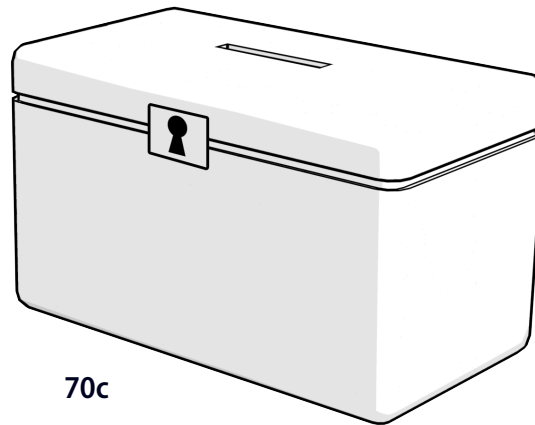
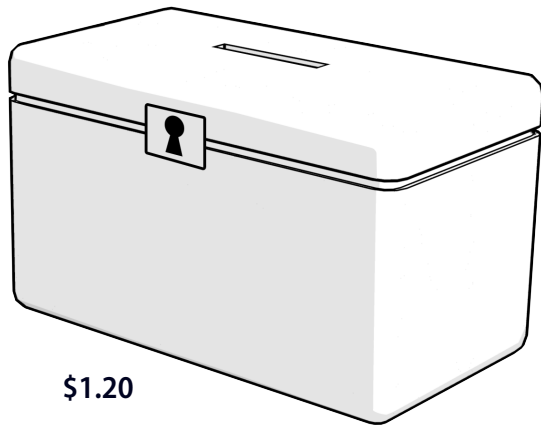
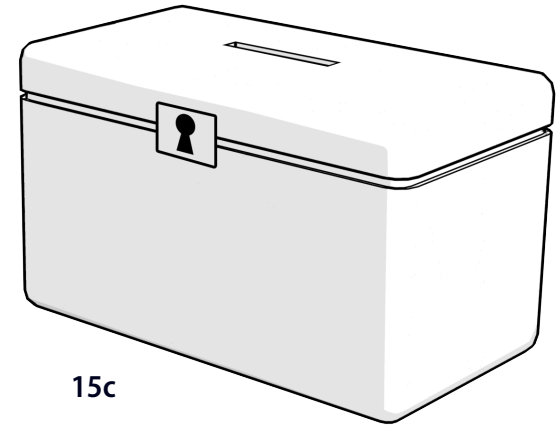
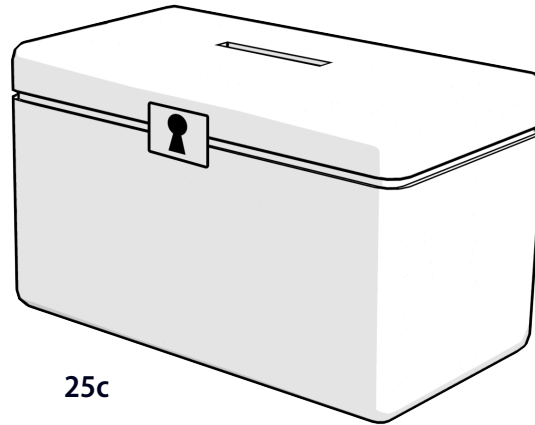
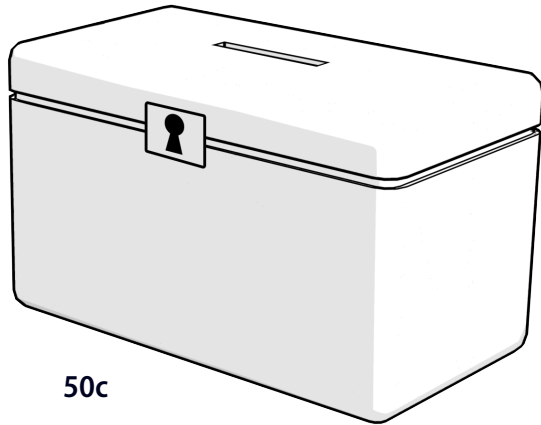
\_\_\_\_\_



\_\_\_\_\_

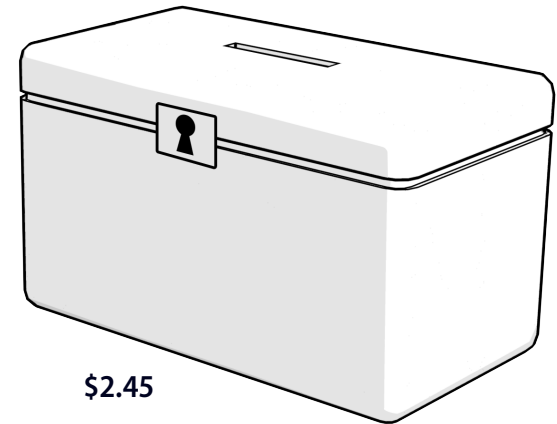
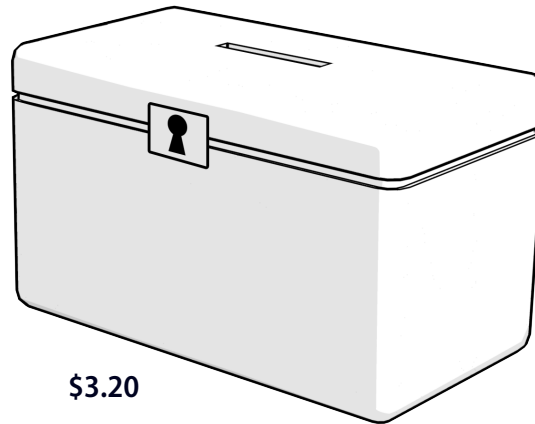
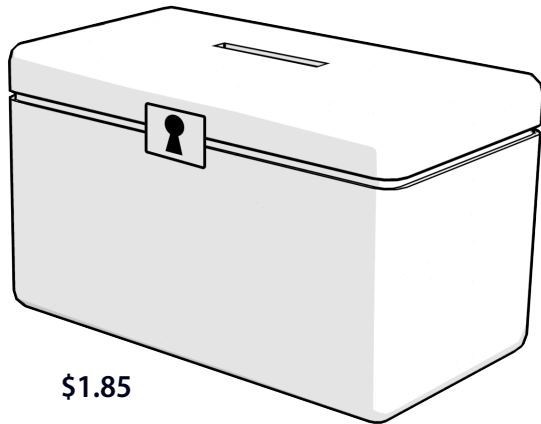
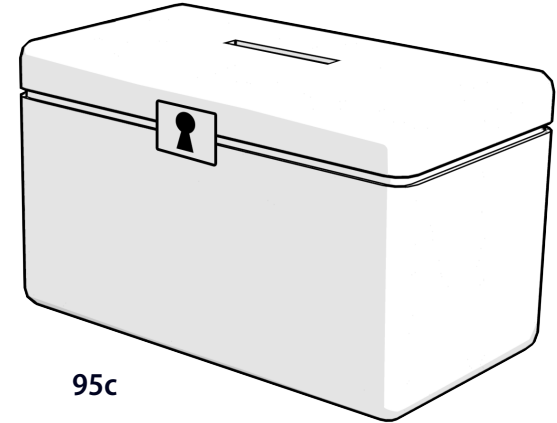
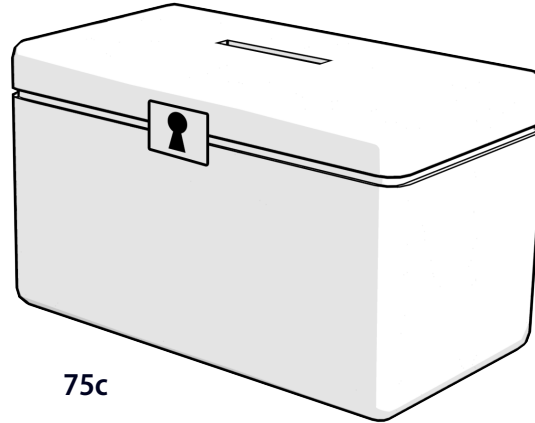
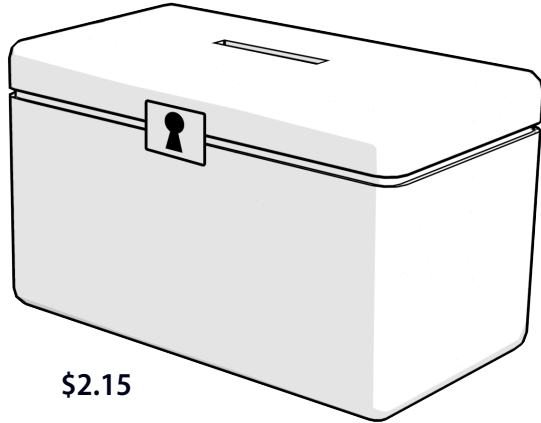
# Money box – level 1

In each money box, draw coins that make the amount written underneath.



# Money box – level 2

In each money box, draw coins that make the amount written underneath.



# Money box – level 2

Add a coin, or coins, into the money box so it equals the total underneath.

